



UNCLASSIFIED

14NOV17

35th Infantry Division

“Santa Fe”



AAAA ASE Symposium

CW4 Tim Brundage

The overall classification of this briefing is:

UNCLASSIFIED

UNCLASSIFIED

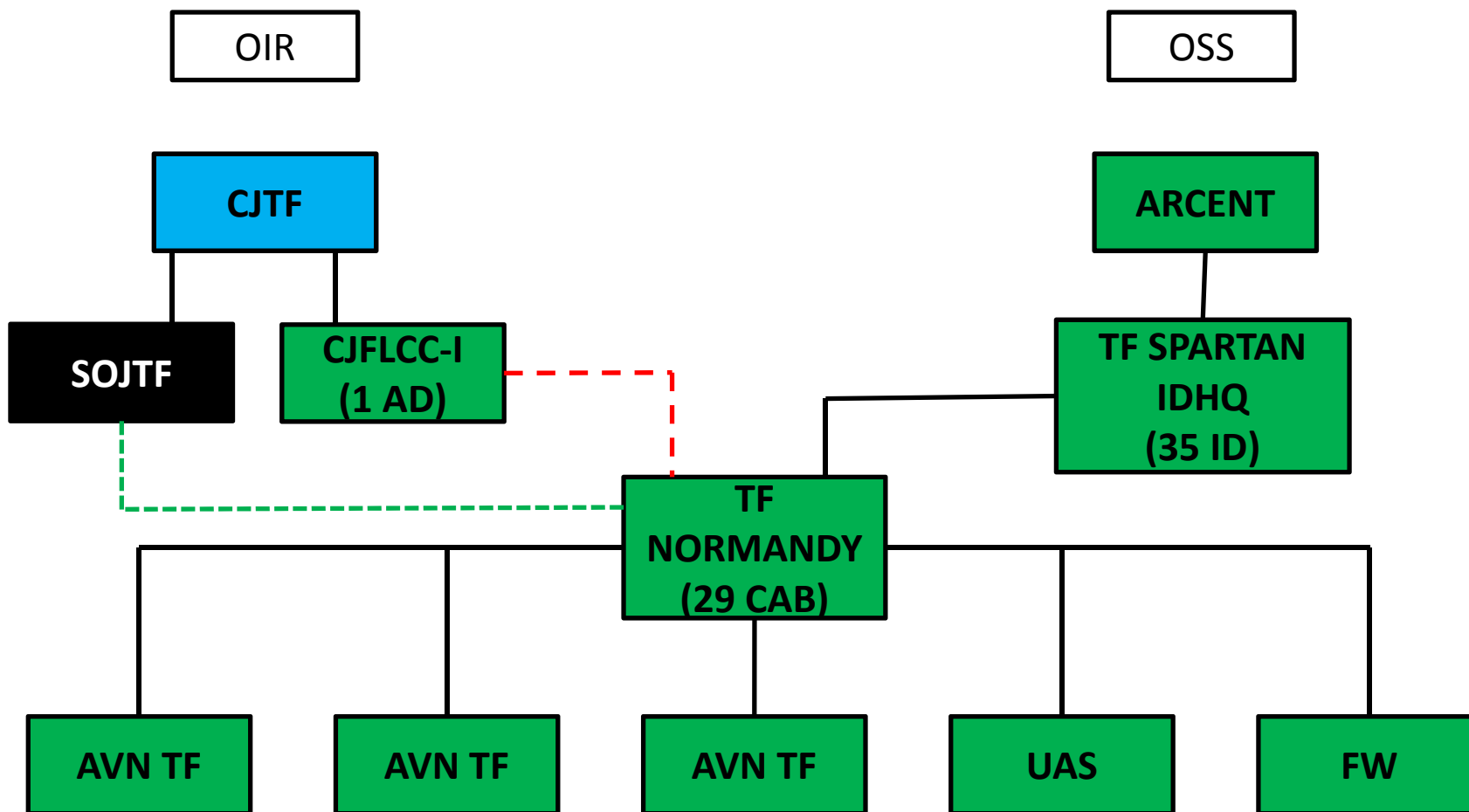


UNCLASSIFIED

OSS/OIR COMREL

35th Infantry Division

“Santa Fe”



—	OPCON
- - -	TACON
- - - -	DS

POC: CW4 Tim Brundage, 35 ID G3 Air TACOPS

UNCLASSIFIED



UNCLASSIFIED

ASE MODS

35th Infantry Division

“Santa Fe”

- Mods ongoing- No degradation in capability
- PM-ASE support
- Training and information distribution
- Specifics on mods- discussed in classified sessions

UNCLASSIFIED



UNCLASSIFIED

35th Infantry Division

“Santa Fe”

QUESTIONS?